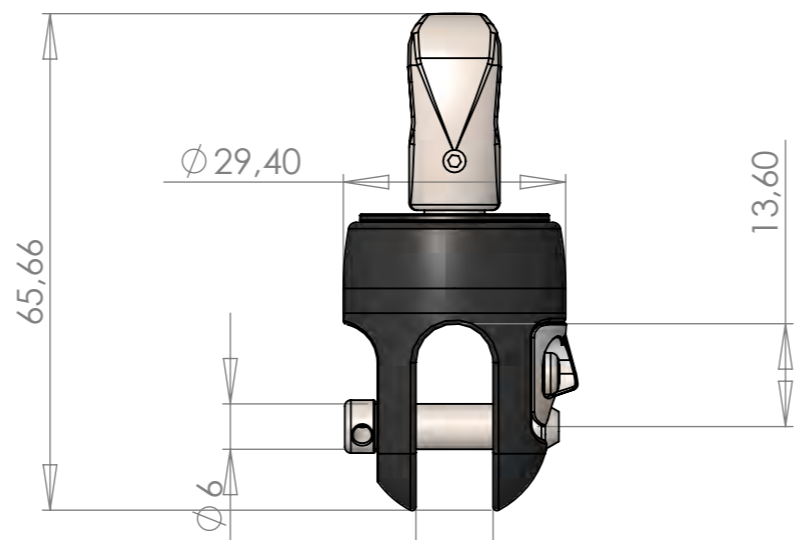
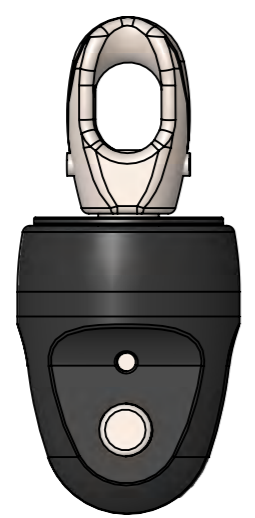


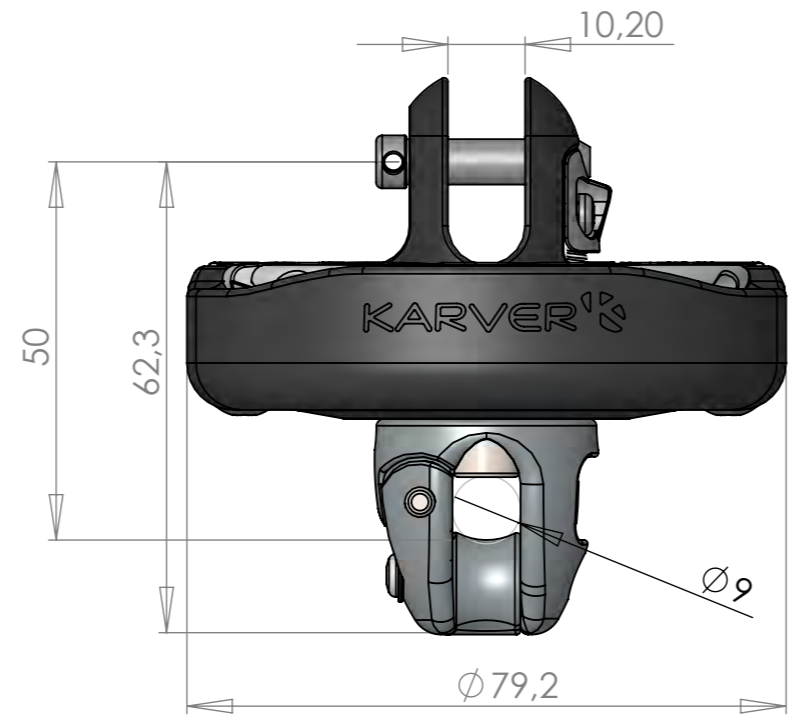
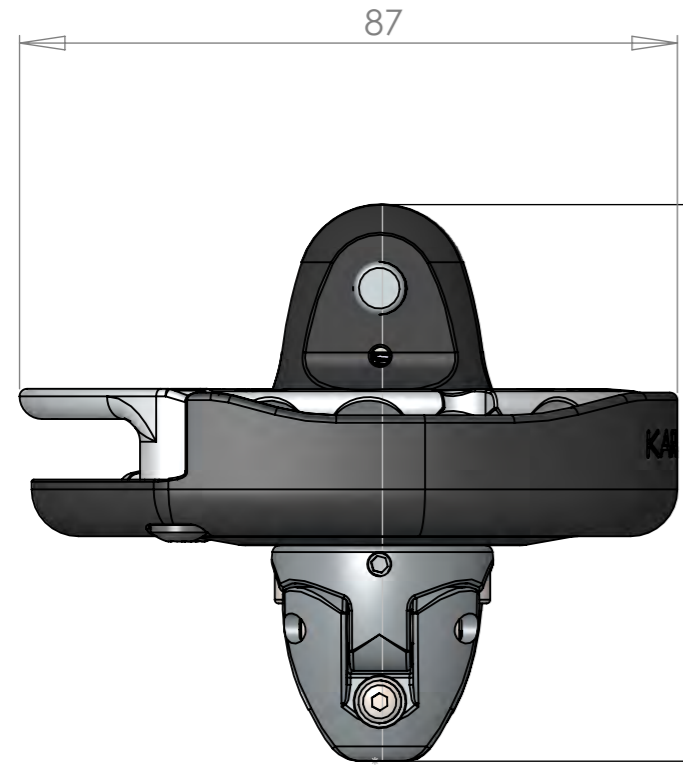
H G F E D C B A

4

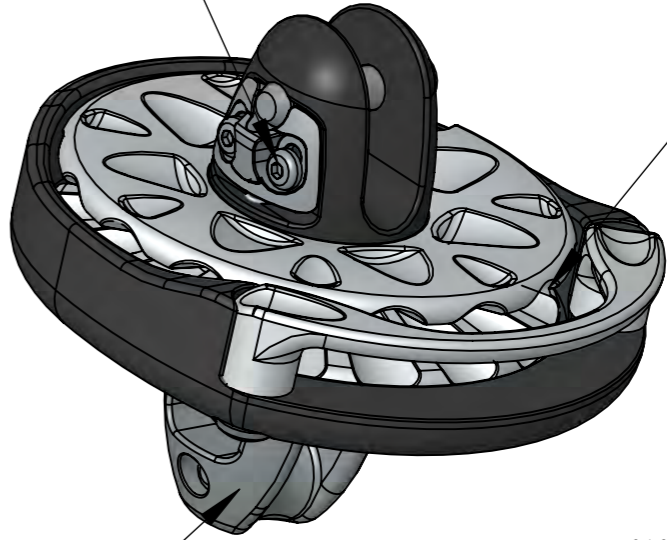


SWIVEL WEIGHT: 86g

3



Fast pin opening



ø6mm furling line

Snap shackle

WEIGHT: 262g (including snap shackle)

2

1

MAX WORKING LOAD: 900Kg
BREAKING LOAD: 1.8T

Désignation: KFO.9		Echelle	Format	Folio
Description:		1:1	A3	1/1
Maximum Working Load : 900kg Charge de travail		Breaking Load : 1800kg Charge de Rupture		
Material : Aluminium Anodisé noir Matière		Masse : 350.36 (g)		
Système:	Type	Famille	Code	Indice
KFO,9			PF 350000	
Plus d'informations sur www.karver-systems.com - More information on www.karver-systems.com .				All rights reserved



H G F E D C B A